

# MICRO-FLO



## MICRO-FLO

Digital Paddlewheel Flow meter  
Operating Manual

***Blue-White***<sup>®</sup>  
***Industries, Ltd.***

**PT SARANA PRIMA ENGUNA**

Jl. Gunung Sahari Raya 84 C - Jakarta

**Phone:** 021-420-0045 **Fax:** 021-420-0483

**E mail:** info@spe.co.id

**Website:** www.spe.co.id

## TABLE OF CONTENTS

<b>1.....</b>	<b>Introduction.....</b>	<b>2</b>
<b>2.....</b>	<b>Features .....</b>	<b>3</b>
<b>3.....</b>	<b>Model number matrix .....</b>	<b>3</b>
<b>4.....</b>	<b>Specifications .....</b>	<b>4</b>
	4.1..Temperature and pressure limits.....	4
	4.2..Dimensions .....	5
	4.3..Replacement parts .....	5
<b>5.....</b>	<b>Installation.....</b>	<b>6</b>
	5.1..Wiring connections .....	6
	5.2..Circuit board connections .....	6
	5.3..Flow verification output signal.....	6
	5.4..Panel or wall mountings.....	7
<b>6.....</b>	<b>Operation.....</b>	<b>7</b>
	6.1..Theory of operation.....	7
	6.2..Control panel .....	8
	6.3..Flow stream requirements .....	8
	6.4..Run mode display.....	8
	6.5..Run mode operation .....	9
	6.6..Viewing the K-factor.....	9
<b>7.....</b>	<b>Programming.....</b>	<b>9</b>
	7.1..Field Calibration .....	9
	7.2..Programming for body size/range S1 - S6.....	10
	7.3..Field calibration range setting S0 .....	11
	<b>Warranty information.....</b>	<b>12</b>

### 1.0 Introduction

The Micro-Flo flowmeter is designed to display flow rate and flow total on a six digit LCD display. The meter can measure bi-directional flows in either vertical or horizontal mounting orientation. Six flow ranges and four optional pipe and tubing connections are available. Pre-programmed calibration K-factors can be selected for the corresponding flow range or a custom field calibration can be performed for higher accuracy at a specific flow rate. **The meter is factory programmed for the correct K-factor of the body size included with the meter.**

## 2.0 Features

- Four connection options available:  
1/8" F/NPT, 1/4" F/NPT, 1/4" OD x .170 ID Tubing & 3/8" OD x 1/4" ID Tubing sizes.
- Six body size/flow range options available:  
30 to 300 ml/min, 100 to 1000 ml/min, 200 to 2000 ml/min,  
300 to 3000 ml/min, 500 to 5000 ml/min, 700 to 7000 ml/min.
- 3 model display variations:  
FS = Sensor mounted display  
FP = Panel mounted display (includes 6' cable)  
FV = No display. Sensor only. 5vdc current sinking output
- 6 digit LCD, up to 4 decimal positions.
- Displays both rate of flow and total accumulated flow.
- Open collector alarm setpoint.
- User selectable or custom programmable K-factor.  
Flow units: Gallons, Liters, Ounces, milliliters  
Time units: Minutes, Hours, Days
- Volumetric field calibration programming system.
- Non-volatile programming and accumulated flow memory.
- Total reset function can be disabled.
- Clear PVC viewing lens or PVDF chemical resistant lens.
- Weather resistant Valox PBT enclosure. NEMA 4X

## 3.0 Model number matrix

### METER FUNCTION

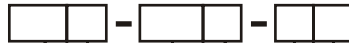
- FS = Flow rate and Totalizing. On-sensor mounting
- FP = Flow rate and Totalizing. Remote panel mounting
- FV = Flow sensor only (no display)

### POWER SUPPLY

- 1 = Transformer U.S. 115VAC/15VDC
- 2 = Transformer E.U. 220VAC/15VDC
- 3 = Transformer U.S. 230VAC/15VDC
- None = No selection (customer supplied)

### FLOW RANGE SELECTION

- 10 = 30-300 ml/min
- 20 = 100-1000 ml/min
- 30 = 200-2000 ml/min
- 40 = 300-3000 ml/min
- 50 = 500-5000 ml/min
- 60 = 700-7000 ml/min



### O-RING SEAL

- V = Viton
- E = EPDM

### CONNECTOR

- 4 = .250" OD tubing PVDF
- 5 = .125" Female NPT PVC
- 6 = .375" OD tubing PVDF
- 7 = .250" Female NPT PVC

### LENS MATERIAL

- 0 = Clear PVC
- 1 = Opaque PVDF

**4.0 Specifications**

**Max. Working Pressure:**

PVC lens, 130 psig (9 bar) @ 70° F (21° C)  
 PVDF lens, 150 psig (10 bar) @ 70° F (21° C)

**Max. Fluid Temperature:**

PVC lens, F/NPT connectors 130° F (54° C) @ 0 PSI  
 PVDF lens, tubing connectors 200° F (93° C) @ 0 PSI

**Full scale accuracy** +/- 6%

**Input Power requirement:** 9 - 28 VDC

**Sensor only output cable:** 3-wire shielded cable, 6ft

**Pulse output signal:** Digital square wave (2-wire) 25ft max.

Voltage high = 5Vdc,  
 Voltage low < .25Vdc  
 50% duty cycle

**Output frequency range:** 4 to 500Hz

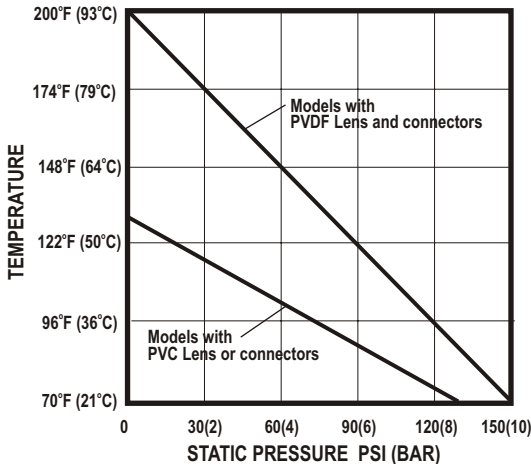
**Alarm output signal:** Open collector. Active low above programmable rate set point.  
 30Vdc maximum, 50mA max load.  
 Active low < .25Vdc

**Enclosure:** NEMA type 4X, (IP56)

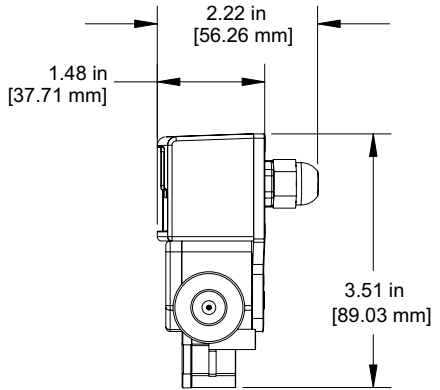
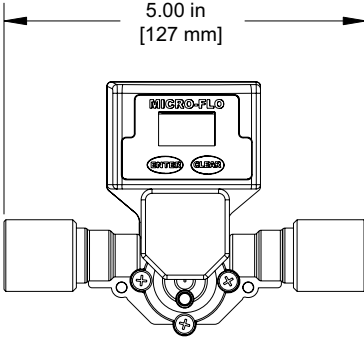
**Approximate shipping wt:** 1 lb. (.45 kg)

**4.1 Temperature and Pressure limits**

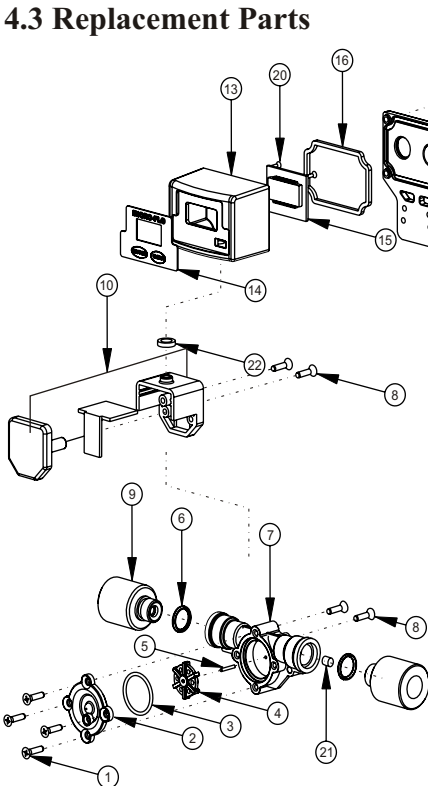
**Maximum Temperature vs. Pressure**



## 4.2 Dimensions



## 4.3 Replacement Parts



### PARTS LIST

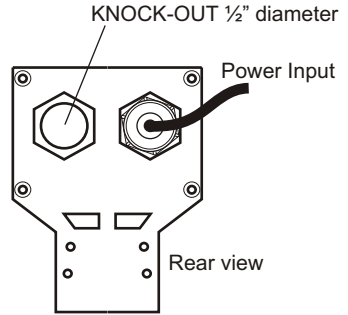
Key	Part No.	Description	Qty.
1	90011-081	Screw 6-32x.50 Phil Fit SS	4
2	90002-227	Lens Cap Clear PVC	1
	90002-228	Lens Cap Opaque PVDF	3
	90003-143	O-Ring Viton	1
	90003-146	O-Ring EP	
4	90002-230	Paddle PVDF	1
5	90007-592	Axle PVDF	1
6	90003-012	O-Ring Viton	2
	90003-011	O-Ring EP	
7	76001-300	Body S1 PVDF (30-300ml/min)	1
	76001-301	Body S2 PVDF (100-1000ml/min)	
	76001-302	Body S2 PVDF (200-2000ml/min)	
	76001-303	Body S2 PVDF (300-3000ml/min)	
	76001-304	Body S2 PVDF (500-5000ml/min)	
	76001-305	Body S2 PVDF (700-7000ml/min)	
8	90011-113	Screw #4x.50 Phil Blk	4
9	76000-137	Adapter .250 F/NPT PVC	2
	76000-456	Adapter .125 F/NPT PVC	
	90002-038	Adapter .370D x .25ID Tube PVDF	
	90002-042	Adapter .250D x .17ID Tube PVDF	
10	90012-252	Sensor	1
13	90002-242	Enclosure, Valox	1
14	90012-254	LCD display	1
15	90010-260	Circuit board	1
16	90006-604	Gasket, rear enclosure	1
17	90002-243	Cover, enclosure rear	1
18	90008-199	Liquid Tight Connector Set	1
19	90011-178	Screw #4x.62 Phil SS Blk	4
20	90011-177	Screw #2x.25 L Phil St	2
21	76001-299	Tubing connector seal	1
22	90006-605	Gasket, sensor mount seal	1

## 5.0 Installation

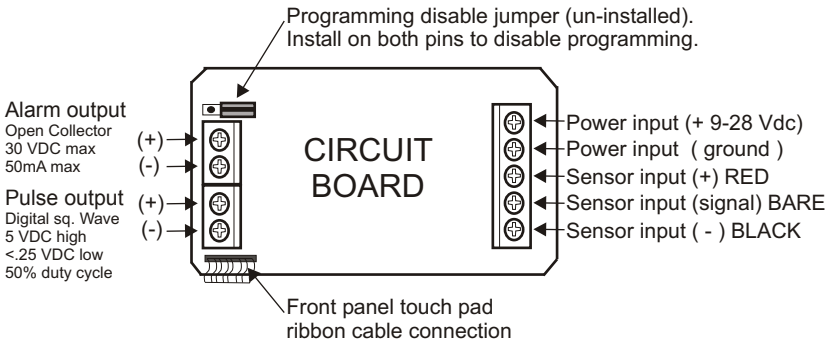
### 5.1 Wiring Connections

On sensor mounted units, the output signal wires must be installed through the back panel using a second liquid-tite connector (included). To install the connector, remove the circular knock-out. Trim the edge if required. Install the extra liquid-tite connector.

On panel or wall mounted units, wiring may be installed through the enclosure bottom or through the back panel. See below.



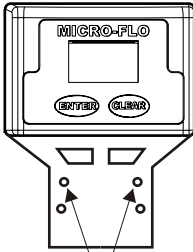
### 5.2 Circuit Board Connections



### 5.3 Flow Verification Output Signal

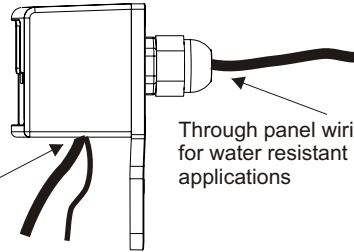
When connected to external equipment such as a PLC, data logger, or Blue-White metering pump, the pulse output signal can be used as a flow verification signal. When used with Blue-White metering pumps, connect the positive (+) terminal on the Micro-Flow circuit board to the pump's yellow signal input wire and the negative (-) terminal to the black input wire.

## 5.4 Panel or wall mounting



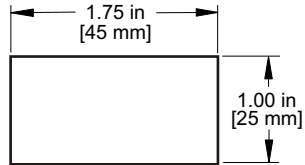
Panel or wall mounting screw locations

Wiring through enclosure bottom for dry applications



Through panel wiring for water resistant applications

Recommended panel or wall mounting cut-out for wire connection opening



## 6.0 Operation

### 6.1 Theory of operation

The Micro-Flo flowmeter is designed to measure the flow rate and accumulate the total volume of a fluid. The unit contains a paddle wheel that has six (6) through holes to allow infrared light to pass through, a light-detecting circuit and a LCD-display electronic circuit.

As fluid passes through the meter body, the paddle wheel spins. Each time the wheel rotates a DC square wave is output from the sensor. There are six (6) complete DC cycles induced for every revolution of the paddle wheel. The frequency of this signal is proportional to the velocity of the fluid in the conduit. The generated signal is then sent into the electronic circuit to be processed.

**The meter is factory programmed for the correct K-factor of the body size included with the meter.**

The Micro-flo flowmeter includes the following features:

- Displays either the flow rate or the accumulated total flow.
- Provides a pulse output signal that is proportional to the flow rate.
- Provides an open collector alarm output signal. Active low at flow rates above the user programmed value.
- Provides user selectable, factory preset calibration k-factors.
- Provides a field calibration procedure for more precise measurement.
- Front panel programming can be disabled by a circuit board jumper pin.

## 6.2 Control Panel

### Enter Button (right arrow) -

- **Press and release** - Toggle between Rate, Total, and Calibrate screens in the run mode. Select program screens in the program mode.
- **Press and hold 2 seconds** - Enter and exit program mode. (Automatic exit program mode after 30 seconds of no inputs).



### Clear/Cal (up arrow) -

- **Press and release** - Clear total in the run mode. Scroll through and Select options in the program mode.

## 6.3 Flow stream requirements

- The Micro-flo flowmeter can measure fluid flow in either direction.
- The meter must be mounted so that the paddle axle is in a horizontal position - up to 10° off the horizontal is acceptable.
- The fluid must be capable of passing infra-red light.
- The fluid must be free of debris. A 150 micron filter is recommended - especially when using the smallest body size (S1), which has a 0.031” through hole.

## 6.4 Run mode display

### Body size/range

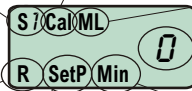
- 0 = Field calibrate
- 1 = 30-300 ml/min
- 2 = 100-1000 ml/min
- 3 = 200-2000 ml/min
- 4 = 300-3000 ml/min
- 5 = 500-5000 ml/min
- 6 = 700-7000 ml/min

### Field Calibration indicator

- Cal (steady) = active
- Cal (flashing) = calibrating
- none = factory cal. active

### Flow units indicator

- ML = Milliliters
- OZ = Ounces
- GAL = Gallons
- LIT = Liters



### Function indicator

- R = Flow rate indicated
- T = Flow total indicated

### Alarm indicator

- SetP (steady) = active
- SetP (flashing) = alarm
- none = not programmed

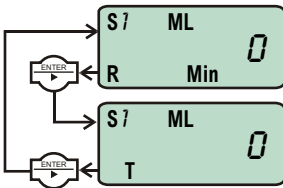
### Display Value

### Rate time base indicator

- Min = Rate per minute
- Hr = Rate per hour
- Day = Rate per day



## 6.5 Run mode operation



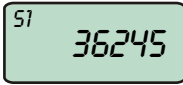
**FLOW RATE DISPLAY** - Indicates rate of flow, **S1** = body size/range #1, **ML** = units displayed in milliliters, **MIN** = time units in minutes, **R** = flow rate displayed.

**FLOW TOTAL DISPLAY** - Indicates accumulated total flow, **S1** = body size/range #1, **ML** = units displayed in milliliters, **T** = total accumulated flow displayed.

## 6.6 Viewing the K-factor (pulses per unit)



While in the run mode, Press and hold **ENTER** then press and hold **CLEAR** to display the K-factor.



Release **ENTER** and **CLEAR** to return to run mode.

## 7.0 Programming

The Micro-Flo flowmeter uses a K-factor to calculate the flow rate and total. The K-factor is defined as the number of pulses generated by the paddle per volume of fluid flow. **Each of the six different body sizes have different operating flow ranges and different K-factors. The meter is factory programmed for the correct K-factor of the body size included with the meter.**

The meter's rate and total displays can be independently programmed to display units in milliliters (ML), ounces (OZ), gallons (GAL), or liters (LIT). Rate and total can be displayed in different units of measure. The factory programming is in milliliters (ML).

The meter's rate display can be independently programmed to display time base units in minutes (Min), Hours (Hr), or Days (Day). The factory programming is in minutes (Min).

For greater accuracy at a specific flow rate, the meter can be field calibrated. This procedure will automatically over-ride the factory K-factor with the number of pulses accumulated during the calibration procedure. The factory default settings can be re-selected at any time.

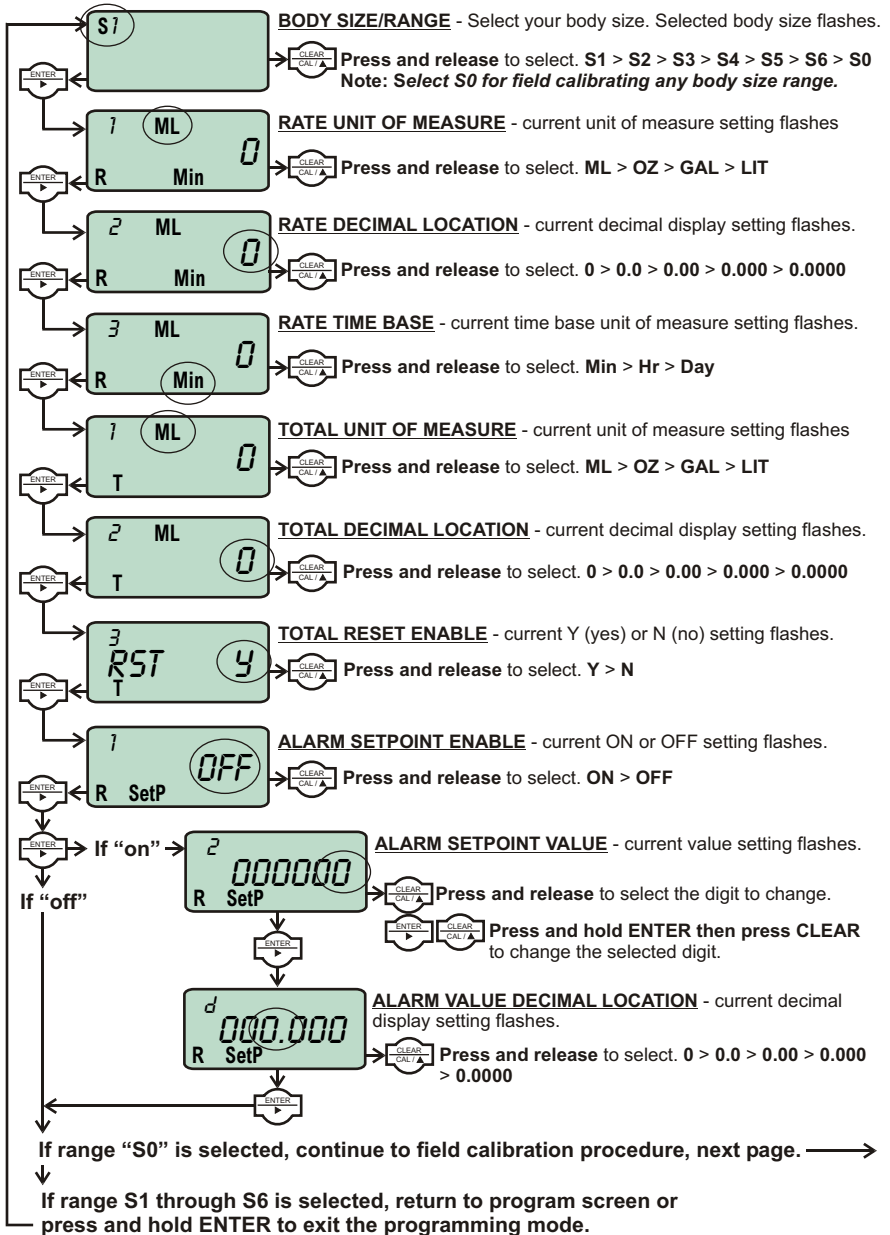
## 7.1 Field Calibration

Any body size/range can be field calibrated. Calibration will take into account your specific application's fluid properties, such as viscosity and flow rate, and increase the accuracy of the meter in your application.

The Body Size/Range must be set for "S0" to enable the calibration mode. Follow the programming instructions on pages 10 & 11 to reset the Body Size/Range and perform the calibration procedure.

## 7.2 Programming for body size/ranges S1 through S6 -

Press and Hold ENTER to initiate the programming mode.



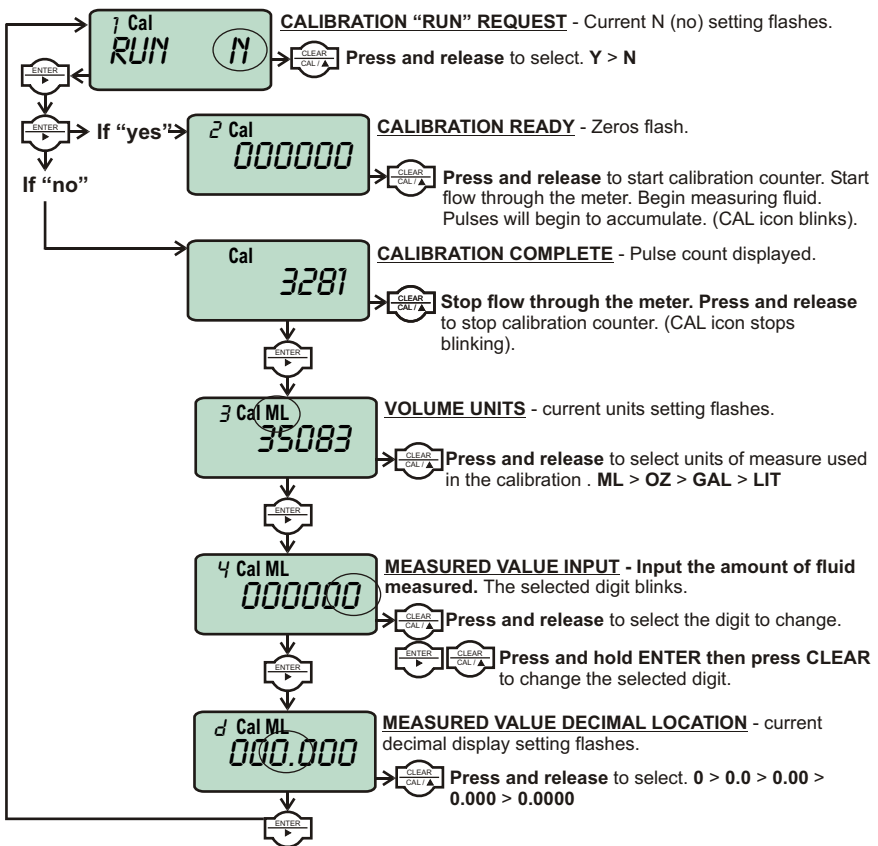
## 7.3 Field calibration size/range setting S0 - Continuation of programming sequence when range "S0" is selected.

The meter should be installed as intended in the application.

The amount of fluid that flows through the meter during the calibration procedure must be measured at the end of the calibration procedure.

Allow the meter to operate normally, in the intended application, for a period of time. A test time of at least one minute is recommended. Pulses will accumulate in the display. After the test time period, Stop the flow through the meter. The pulse counter will stop.

Determine the amount of fluid that passed through the meter using a graduated cylinder, scale, or other method. The measured amount must be entered in calibration screen #4 "MEASURED VALUE INPUT."



## BLUE-WHITE INDUSTRIES LIMITED WARRANTY

FLOWMETERS are warranted to be free of defects in material and workmanship for up to 12 months from the date of factory shipment. Warranty coverage is limited to repair or replacement of the defective flowmeter only. Blue-White Industries does not assume responsibility for any other damage that may occur.

This warranty does not cover damage to the flowmeter that results from misuse or alterations, nor damage that occurs as a result of: meter misalignment, improper installation, over tightening, use of non- recommended chemicals, use of non-recommended adhesives or pipe dopes, excessive heat or pressure, or allowing the meter to support the weight of related piping. Flowmeters are tested and calibrated with water and air only. Although meters may be suitable for other chemicals, Blue-White cannot guarantee their suitability.

Flowmeters are repaired at the factory only. Call or write the factory to receive a Return Material Authorization number, carefully pack the flowmeter to be returned, including a brief description of the problem. Note the RMA number on the outside of the carton.

Prepay all shipping costs. The factory does not accept COD Shipments. Damage that occurs during shipping is the responsibility of the sender.

***Blue-White***<sup>®</sup>  
***Industries, Ltd.***

**PT SARANA PRIMA ENGUNA**

Jl. Gunung Sahari Raya 84 C

Jakarta - 10610

☎Phone: 021-420-0045    FAX: 021-420-0483

E mail: [info@spe.co.id](mailto:info@spe.co.id)

Website: [www.spe.co.id](http://www.spe.co.id)